

19933-▲ SD-DST



see what Delta can do™

## KITCHEN FAUCETS

- Trask® Collection
- Single Handle Pull-Down

### FEATURES:

- DIAMOND Seal® Technology
- Touch-Clean® Technology
- MagnaTite® Docking System
- 2-Function Pull-Down

### STANDARD SPECIFICATIONS:

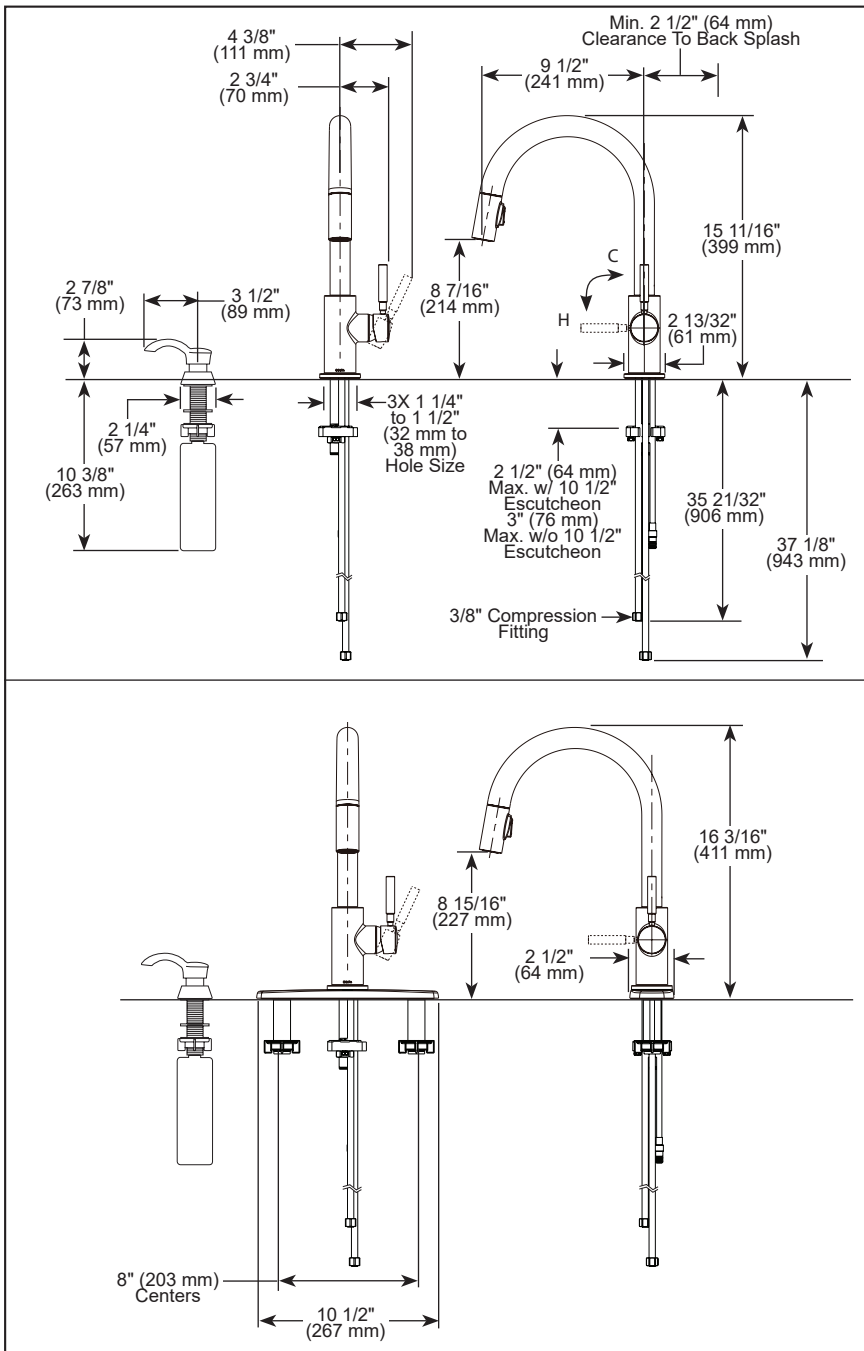
- Max flow rate 1.8 gpm @ 60 PSI, 6.8 L/Min @ 414 kPa
- One, two, three, and four hole mount (escutcheon included)
- Diamond coated ceramic cartridge
- 3/8" O.D. straight, staggered PEX supply lines
- Spout rotates 360°
- Red/Blue indicator markings
- Two-function wand; aerated stream or spray
- Dual integral check valves in sprayer
- Quick Snap® connect hoses

### WARRANTY

- Parts and Finish - Lifetime limited warranty; or for commercial purchasers, 10 years for multi-family residential (apartments and condominiums) and 5 years for all other commercial uses, in each case from the date the product is received by the original purchaser or their authorized representative (installation contractor, etc.).
- Please go to [www.deltafaucet.com](http://www.deltafaucet.com) for the complete details of our limited warranty.

### COMPLIES WITH:

- ASME A112.18.1 / CSA B125.1
- NSF/ANSI/CAN 61 & 372
- ♿ ICC/ANSI A117.1 - Valve control only



▲ Designate proper finish suffix

Delta Faucet Company reserves the right (1) to make changes in specifications and materials, and (2) to change or discontinue models, both without notice or obligation. Dimensions are for reference only. See current full-line price book or [www.deltafaucet.com](http://www.deltafaucet.com) for finish options and product availability.

DSP-K-19933-SD-DST Rev. C

### Delta Faucet Company

55 E. 111th Street, Carmel, IN 46280  
 350 South Edgeware Road, St. Thomas, ON N5P 4L1  
 © 2025 Delta Faucet Company